



MEXICO

FURNITURE & FIXTURES

CAPABILITIES

2024

CONTENTS

Strengths	01
Factory	02
Hospitality	05
Restaurants & Food Courts	06
Student Residential Furniture	08
Furniture	10
Home Office	23
Office Furniture	24
Displays	26
Lockers	29
Vanities	31
Contact Us	33

We are the outcome of more than 50 years experience manufacturing, designing and developing furniture for Homes | Hotels | Student Housing | Club Houses | Offices | Point of Sale | Restaurants and Food Courts | Retail | Wholesale and Distributors.

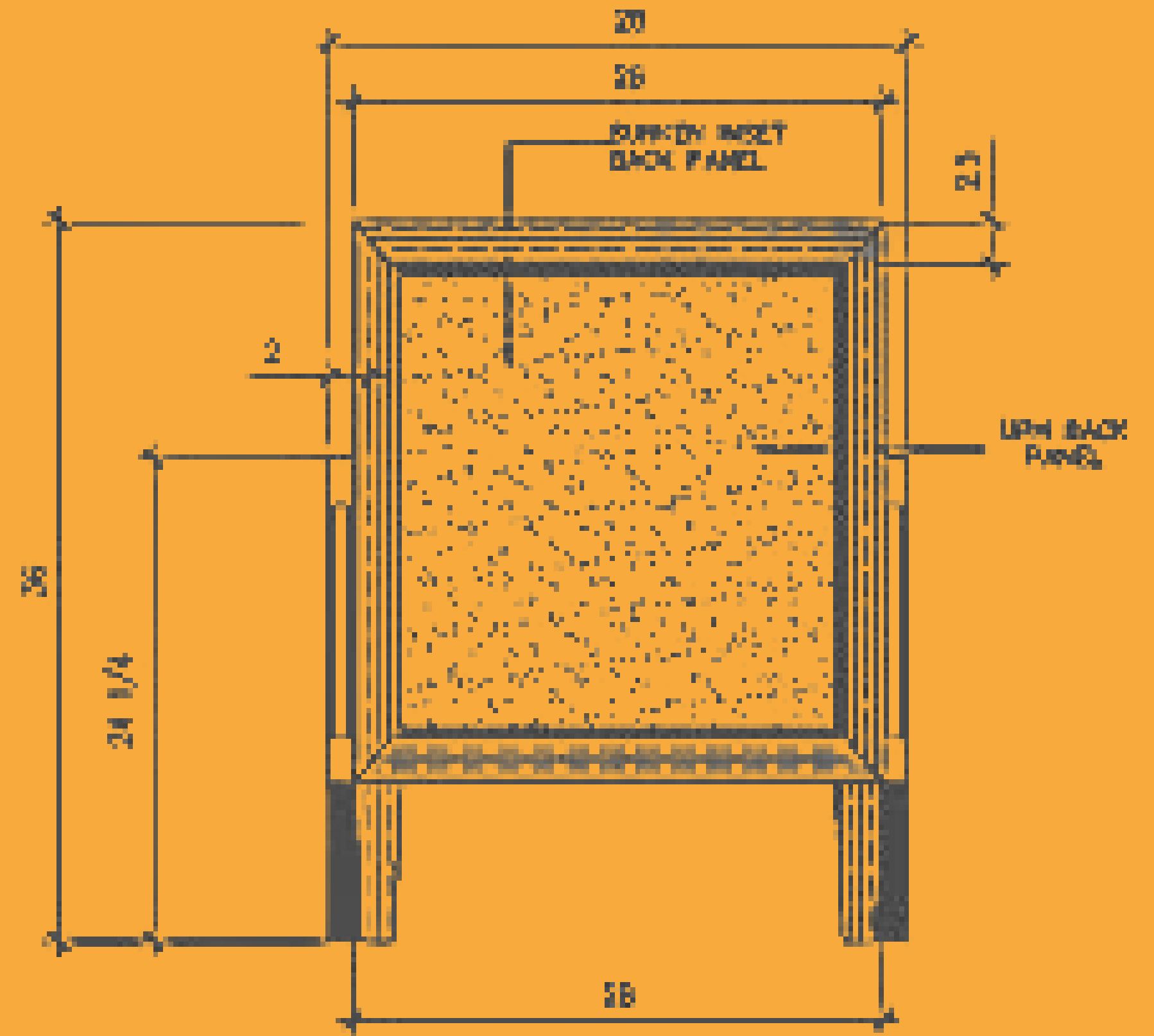
Focused on continuous improvement of our Team, Manufacturing Capability, Engineering and meeting Client needs. Quality and meeting commitments is ingrained in our DNA.

Custom product welcomed | short lead times and logistics to market | Flexible Batch Sizes | Full truckload quantities | E-commerce and retail Packaging available through to bulk project packing.

STRENGTHS

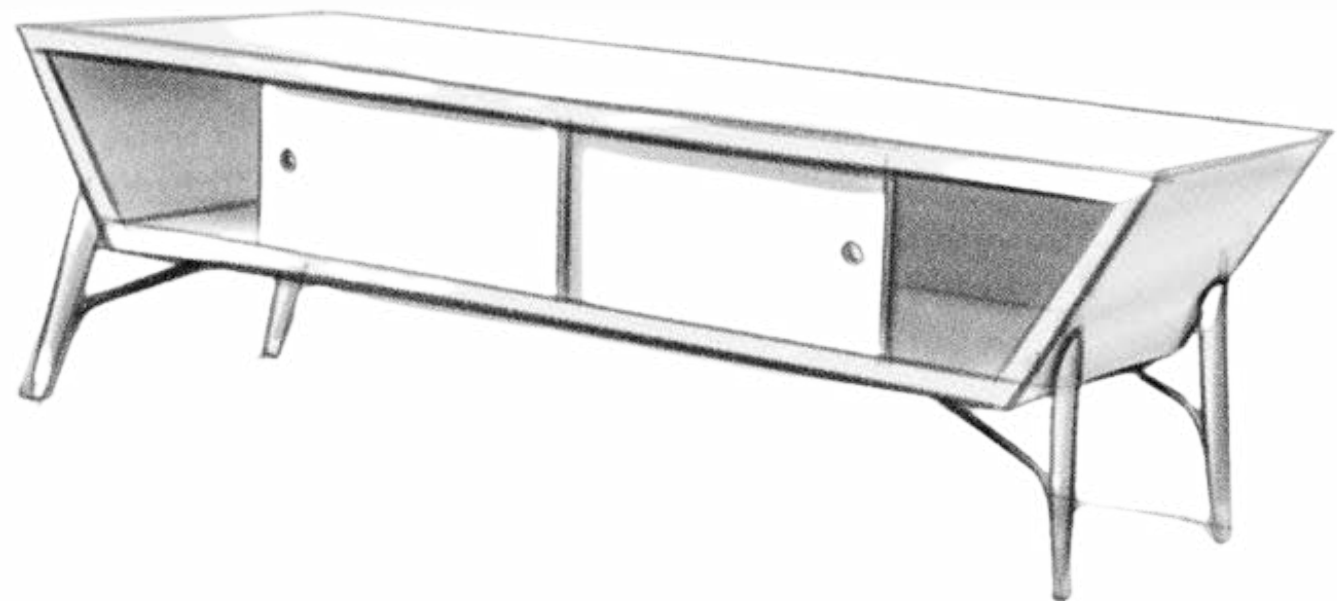
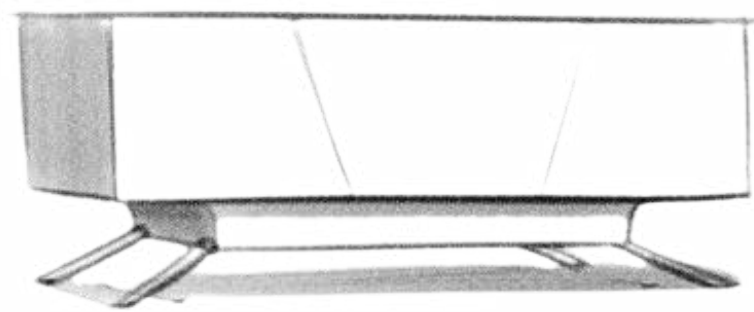
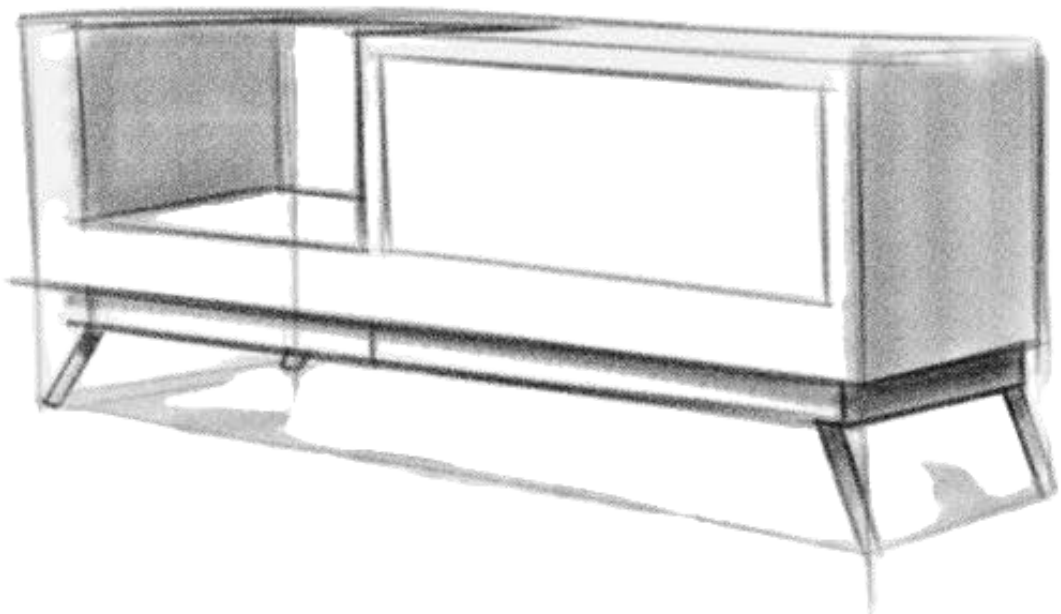
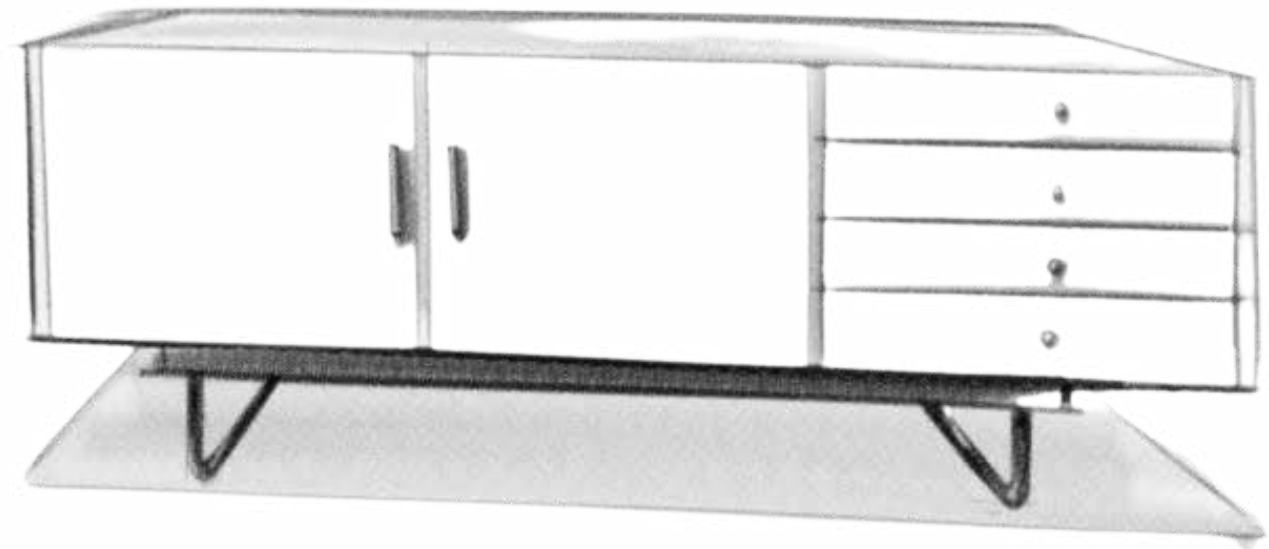
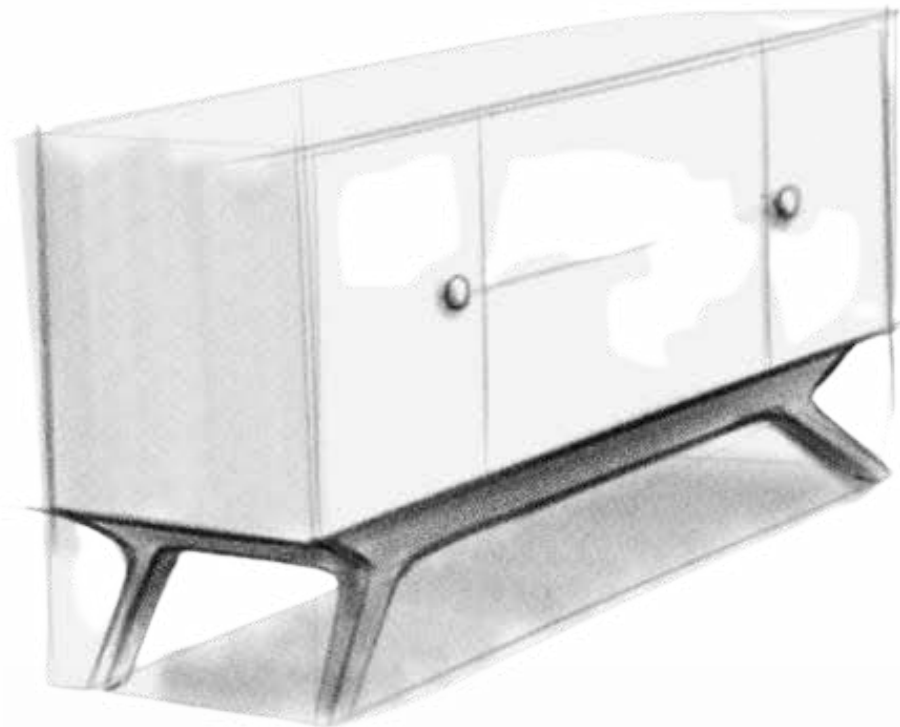
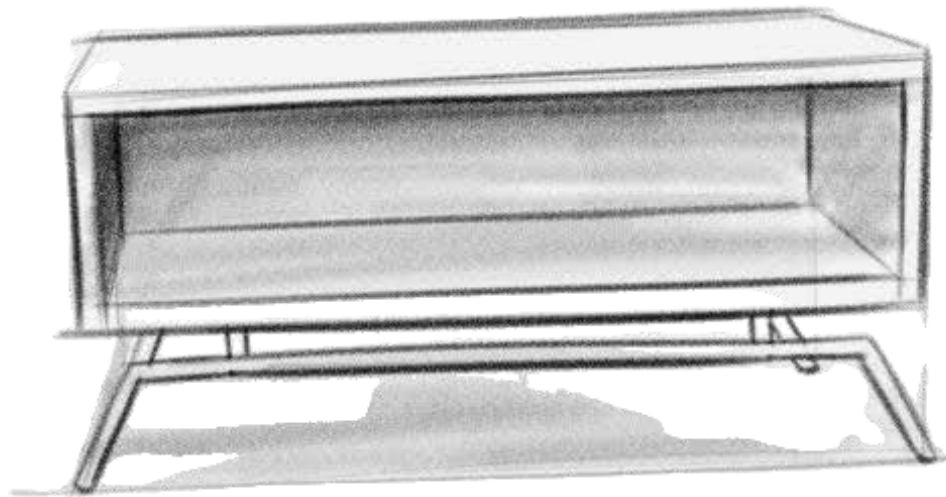
FACTORY

Five factory facilities,
CNC machinery,
multiple finishing lines
to meet Client needs.





WIRKO



HOSPITALITY





RESTAURANT & FOOD COURTS





STUDENT RESIDENTIAL FURNITURE

WIRKO

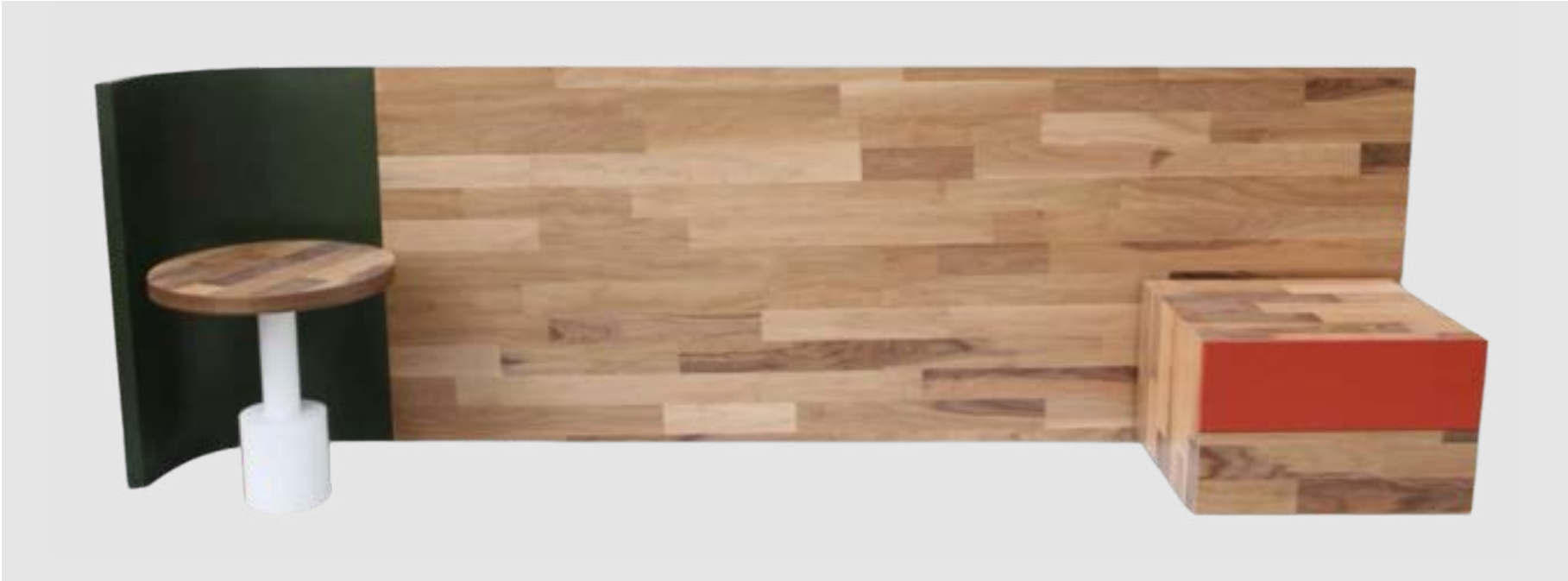




Our furniture is **fully customizable** to our clients needs.

FURNITURE





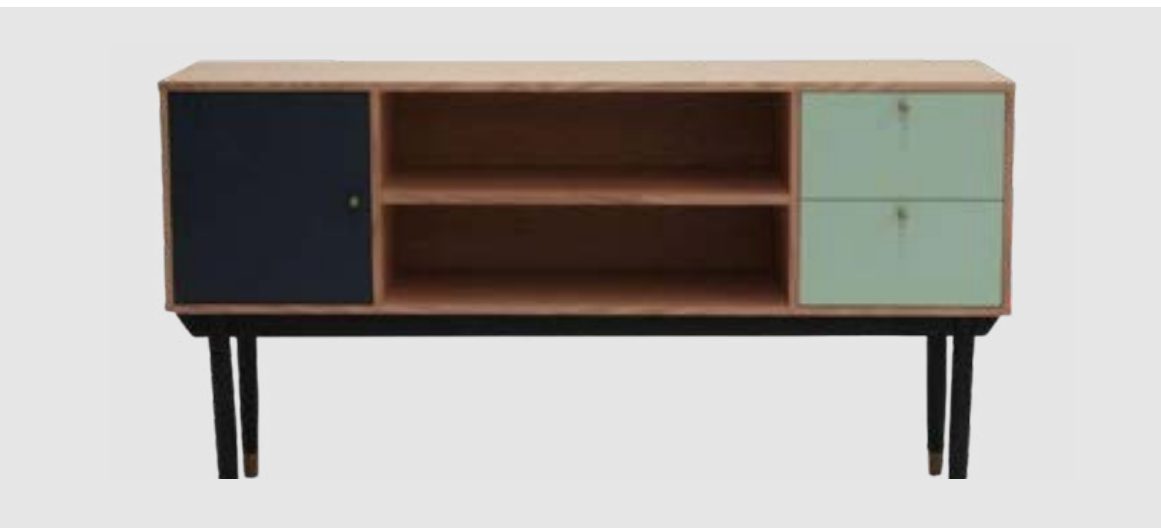
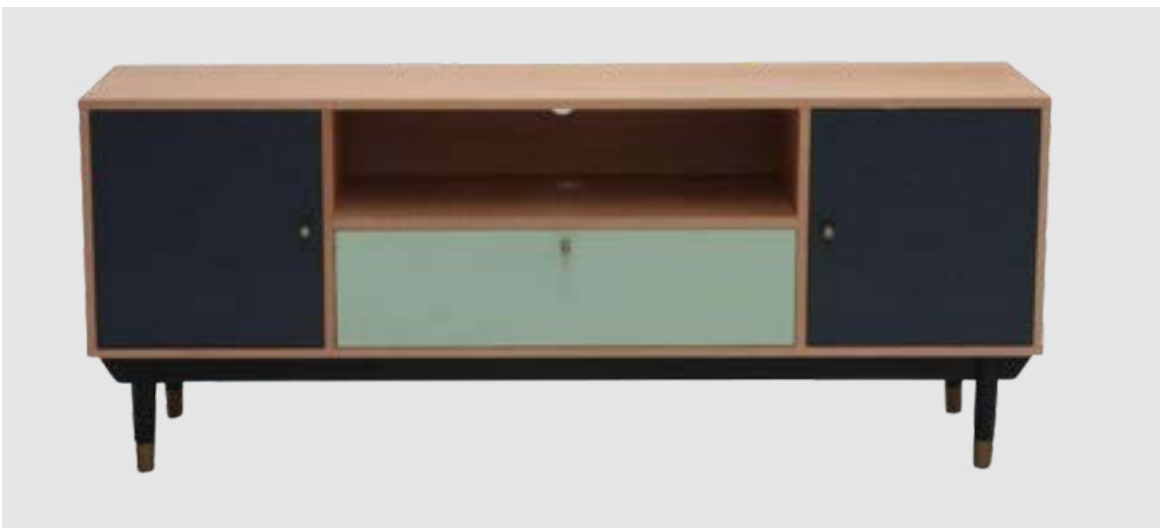
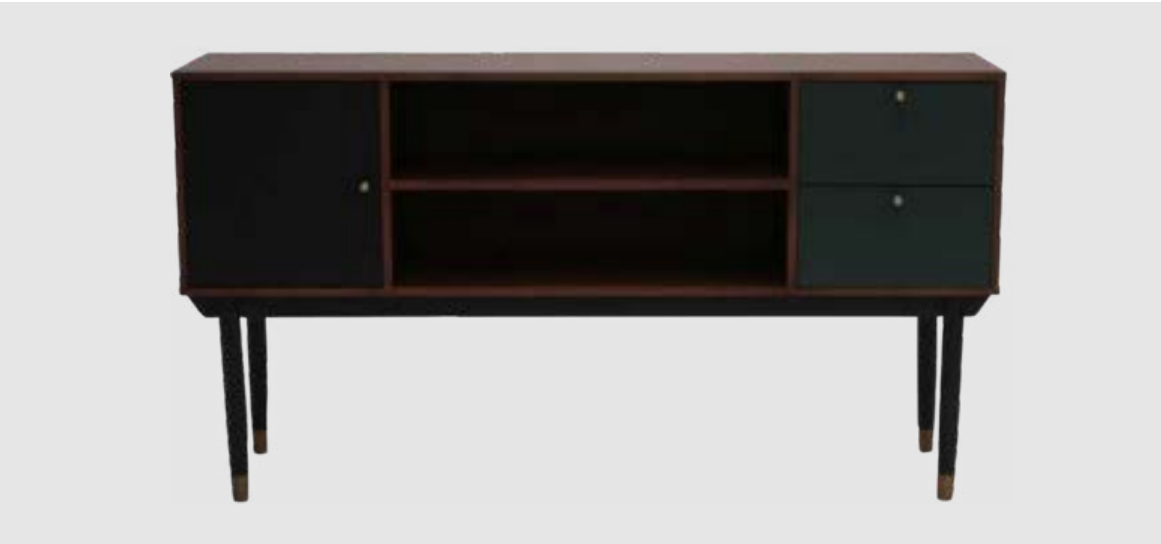


WIRKO













WIRKO









HOME OFFICE



OFFICE FURNITURE

WIRKO





DISPLAYS







LOCKERS

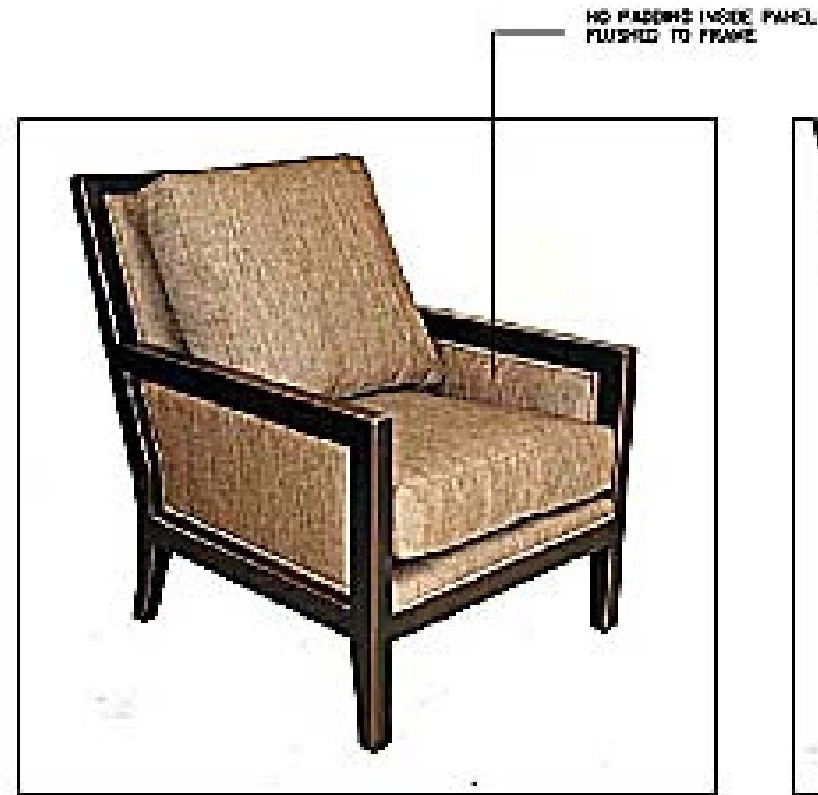
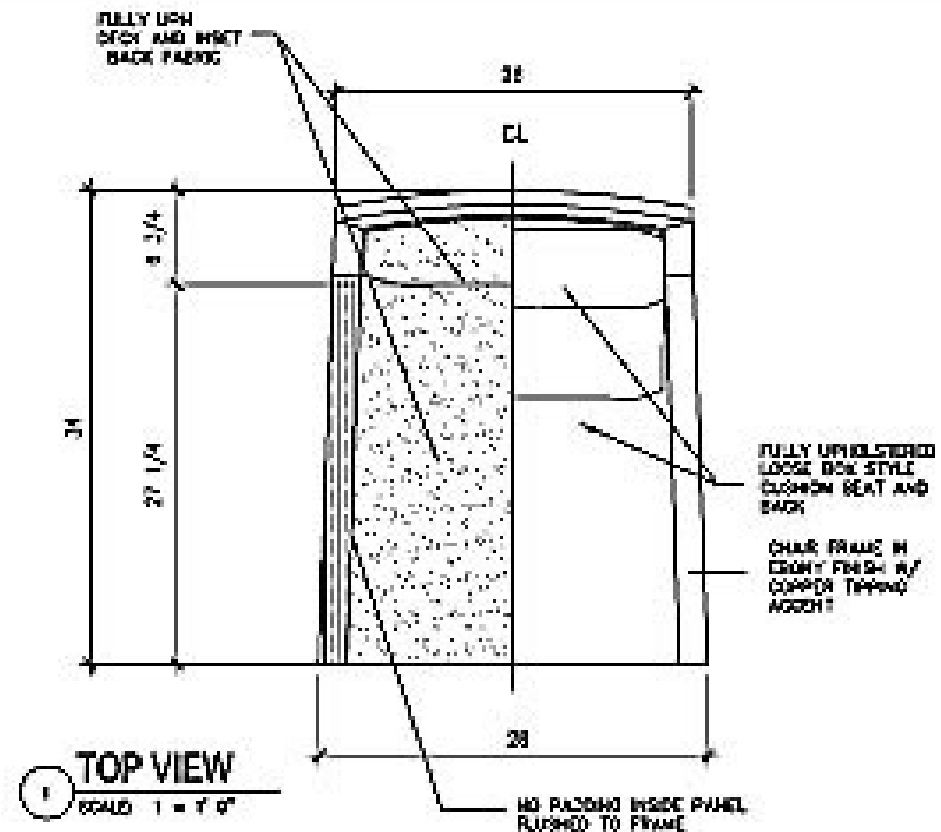


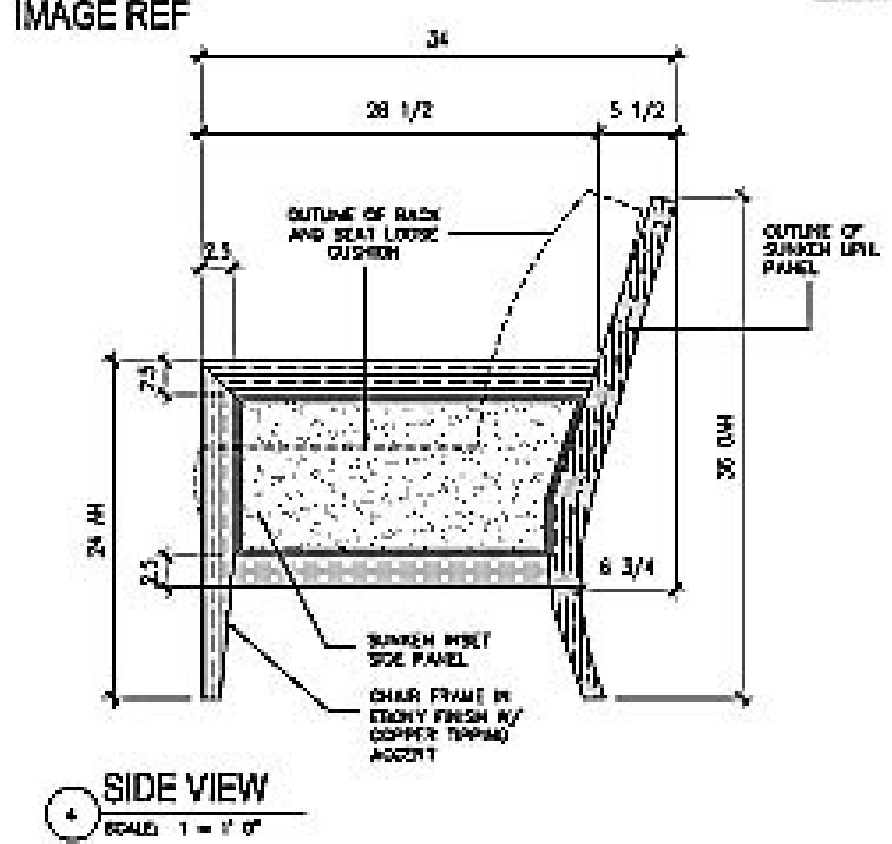
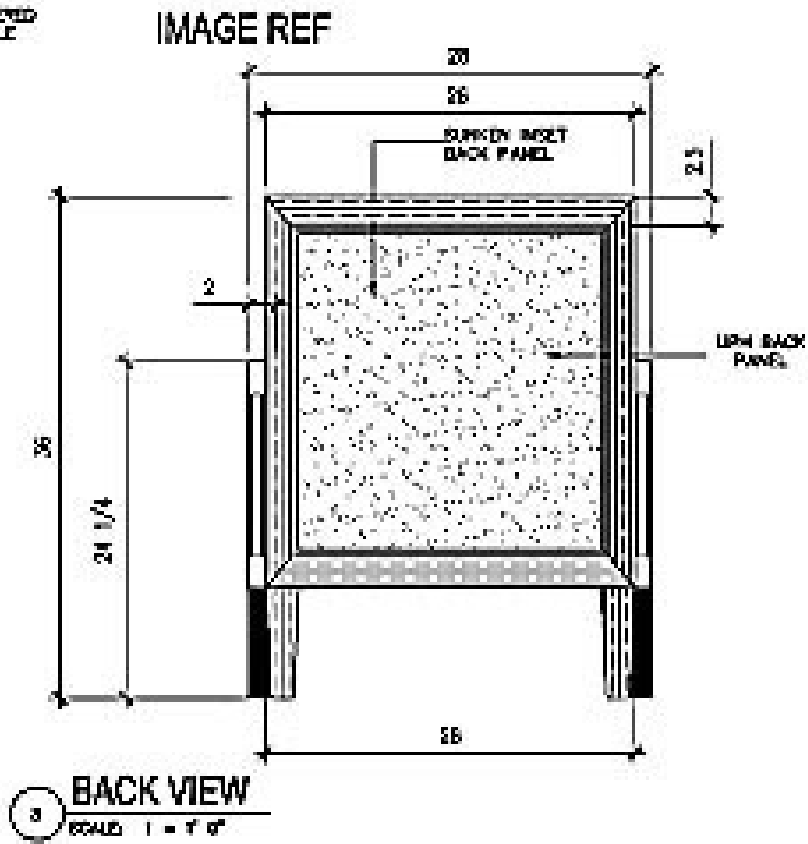
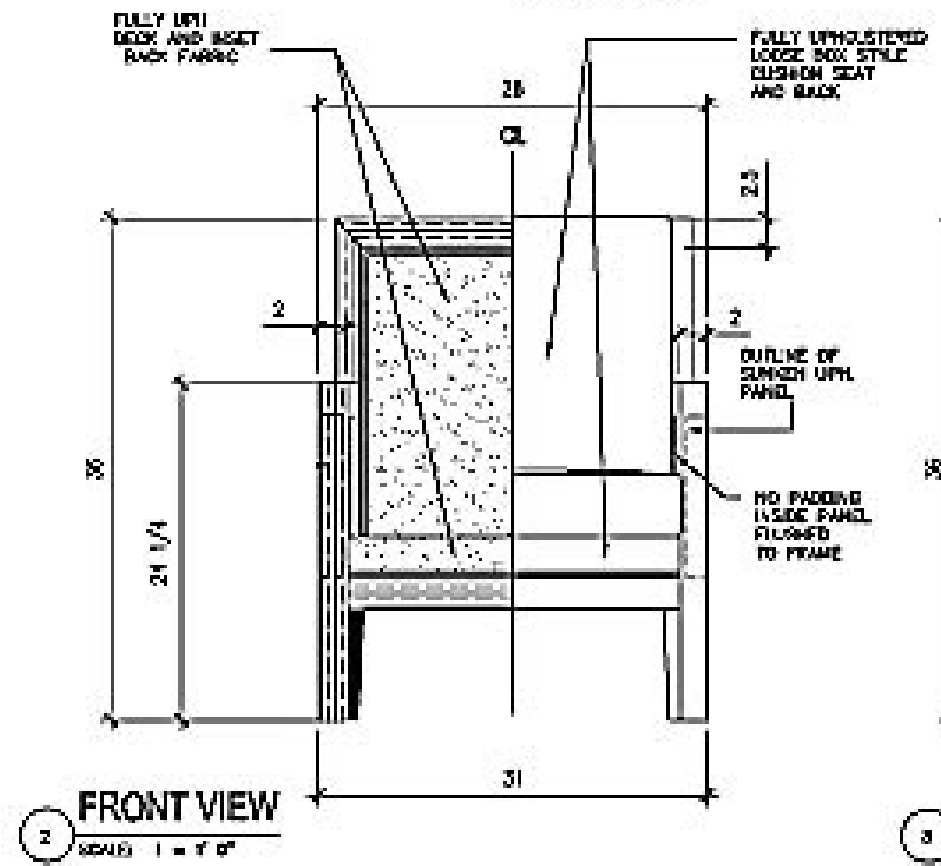
IMAGE REF

LOUNGE CHAIR / LIBRARY



IMAGE REF

GURNEY	
1	2
3	4





VANITIES





WARREN GOODSTONE

 +1 (706) 389 9696

 Sales@Wirko.com

 Wirko.com