



2024

Furniture & Fixtures Capabilities

Product Brochure



CONTENTS

Strengths	01
Factory	02
Hospitality	05
Restaurants & Food Courts	06
Student Residential Furniture	08
Furniture	10
Home Office	23
Office Furniture	24
Displays	26
Lockers	29
Vanities	31
Contact Us	33

We are the outcome of more than 50 years experience manufacturing, designing and developing furniture for Homes | Hotels | Student Housing | Club Houses | Offices | Point of Sale | Restaurants and Food Courts | Retail | Wholesale and Distributors.

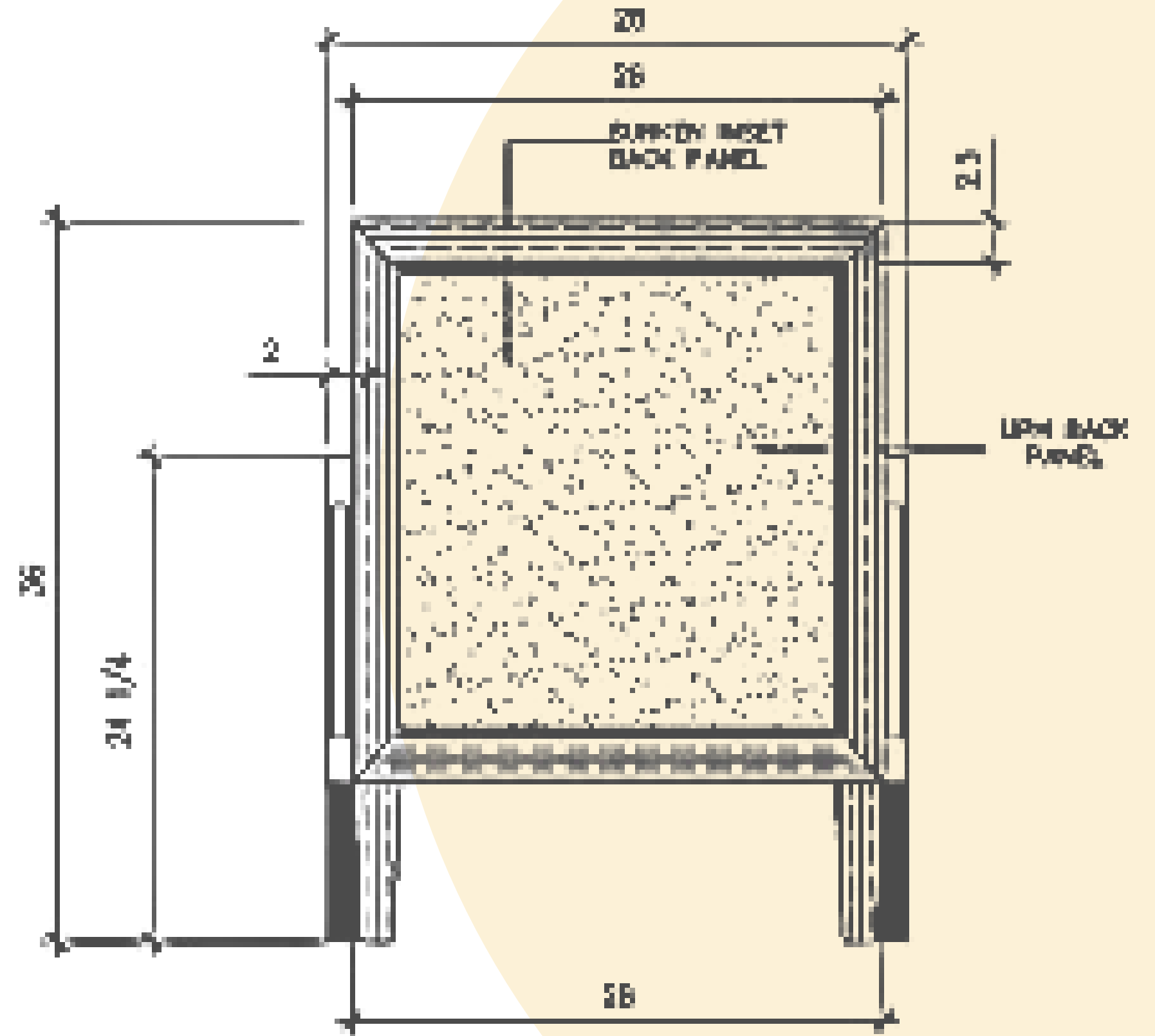
Focused on continuous improvement of our Team, Manufacturing Capability, Engineering and meeting Client needs. Quality and meeting commitments is ingrained in our DNA.

Custom product welcomed | short lead times and logistics to market | Flexible Batch Sizes | Full truckload quantities | E-commerce and retail Packaging available through to bulk project packing.

STRENGTHS

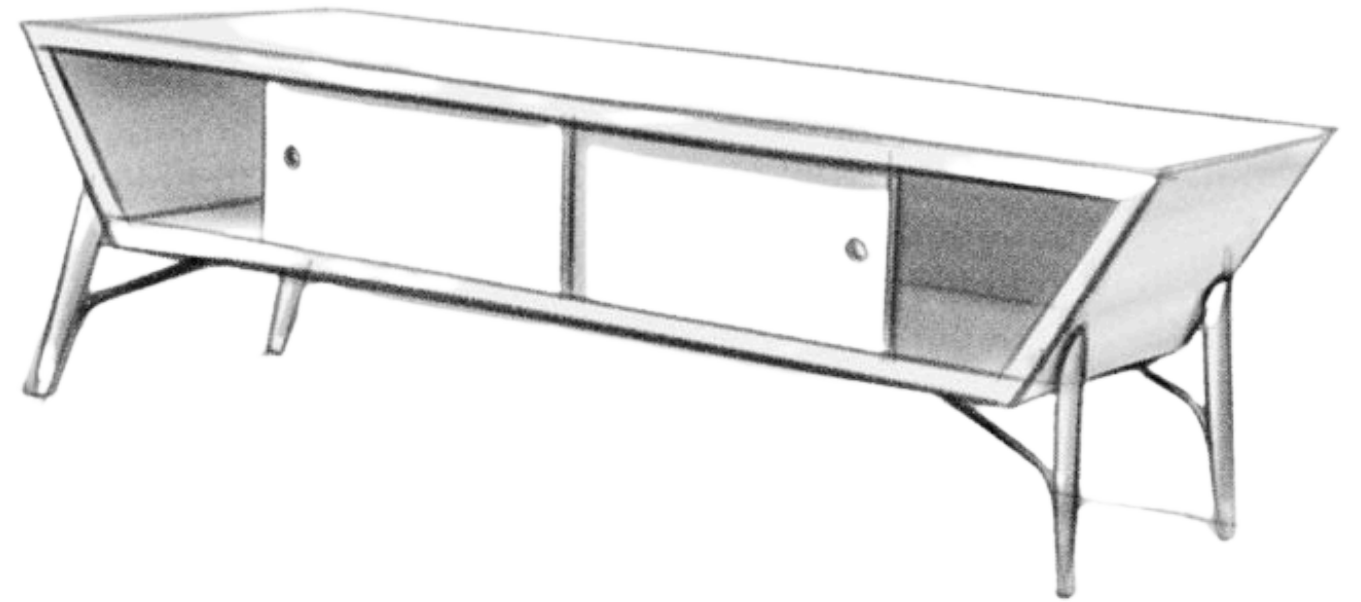
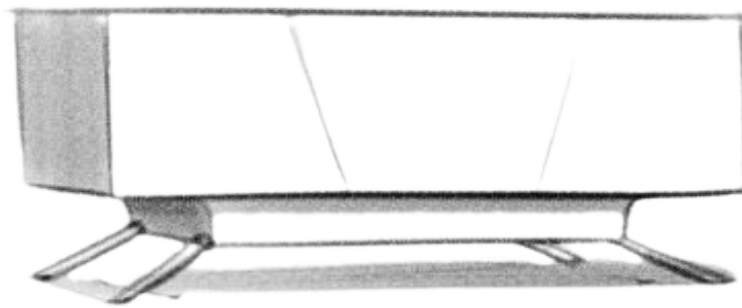
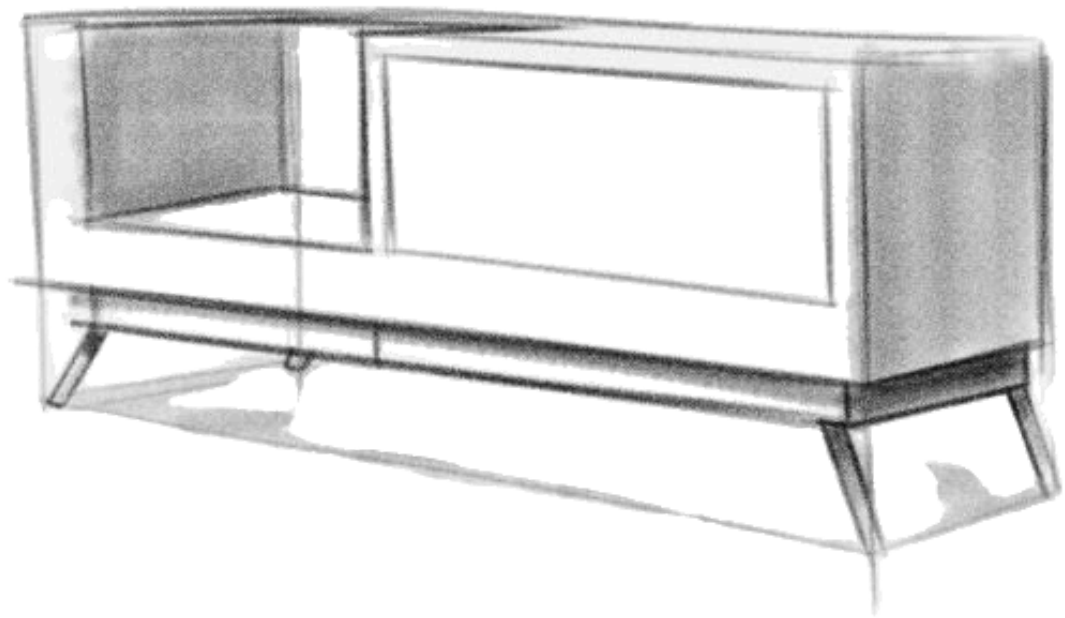
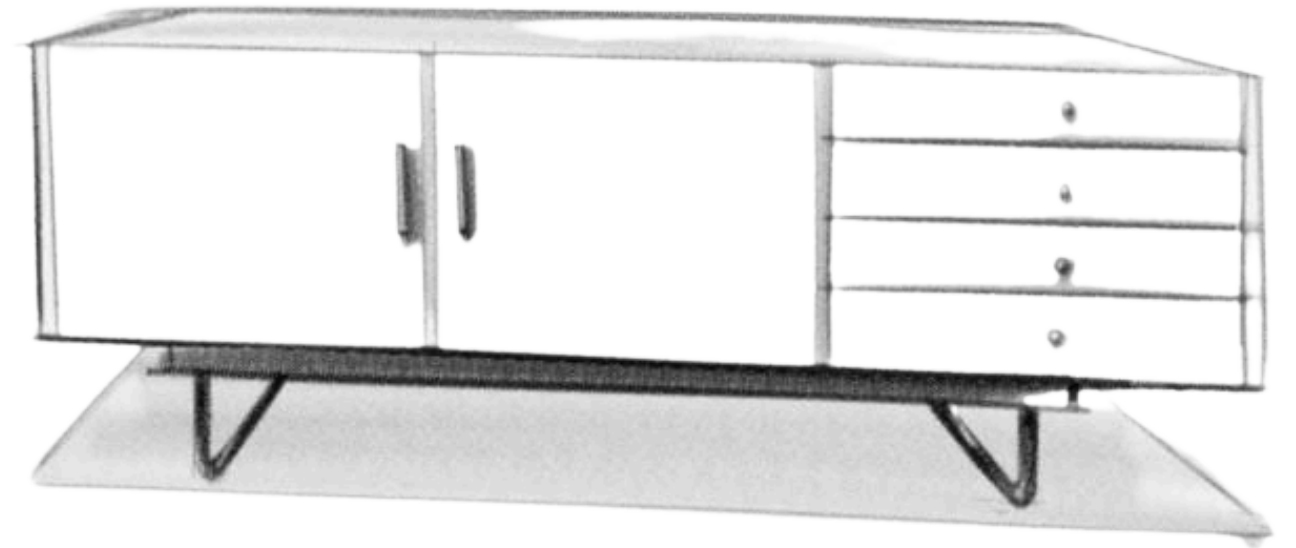
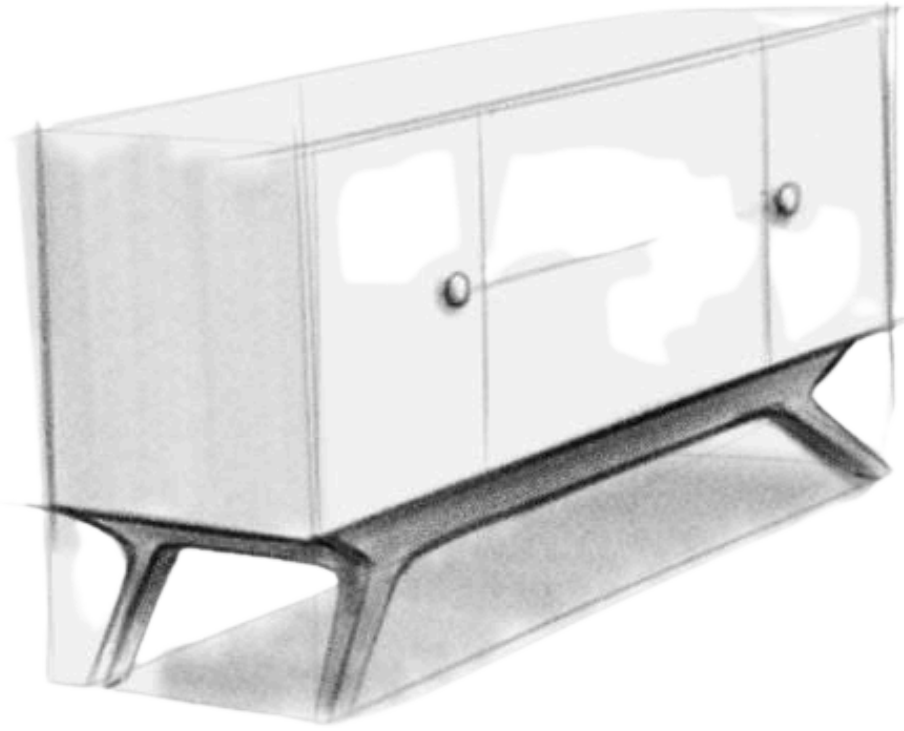
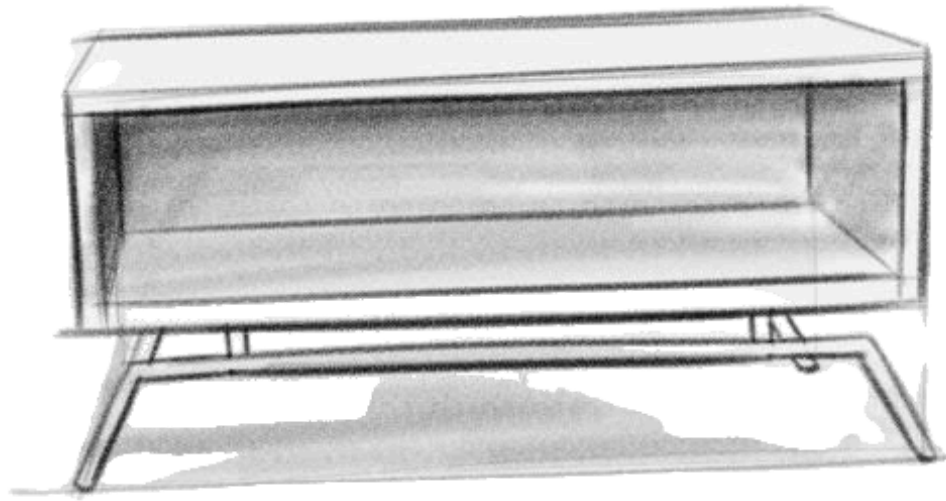
FACTORY

Five factory facilities, CNC machinery, multiple finishing lines to meet Client needs.



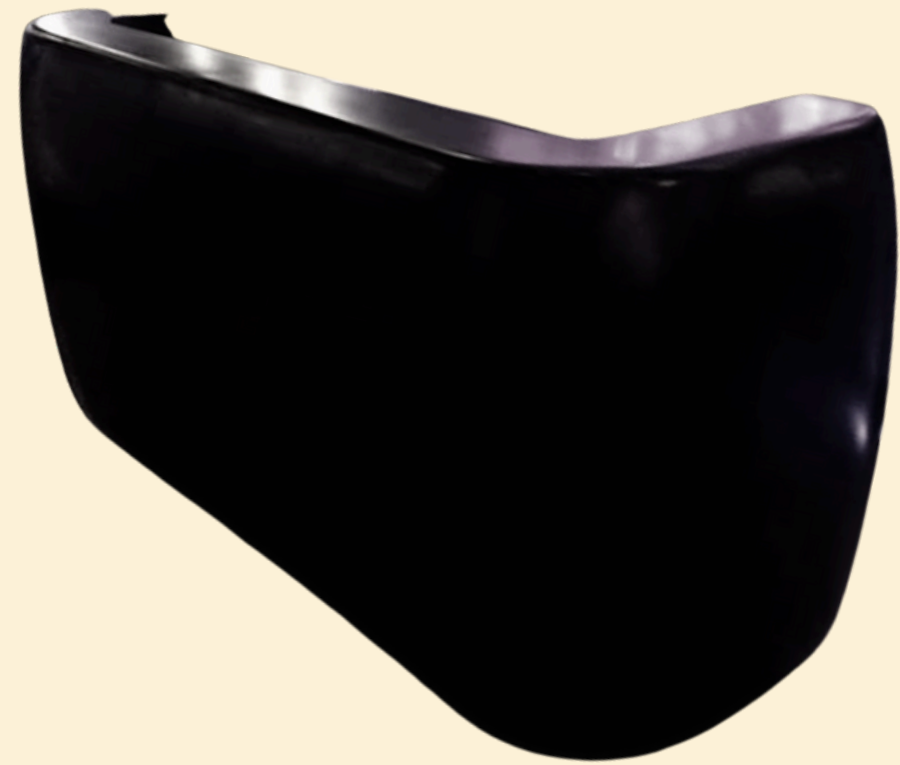


WIRKO



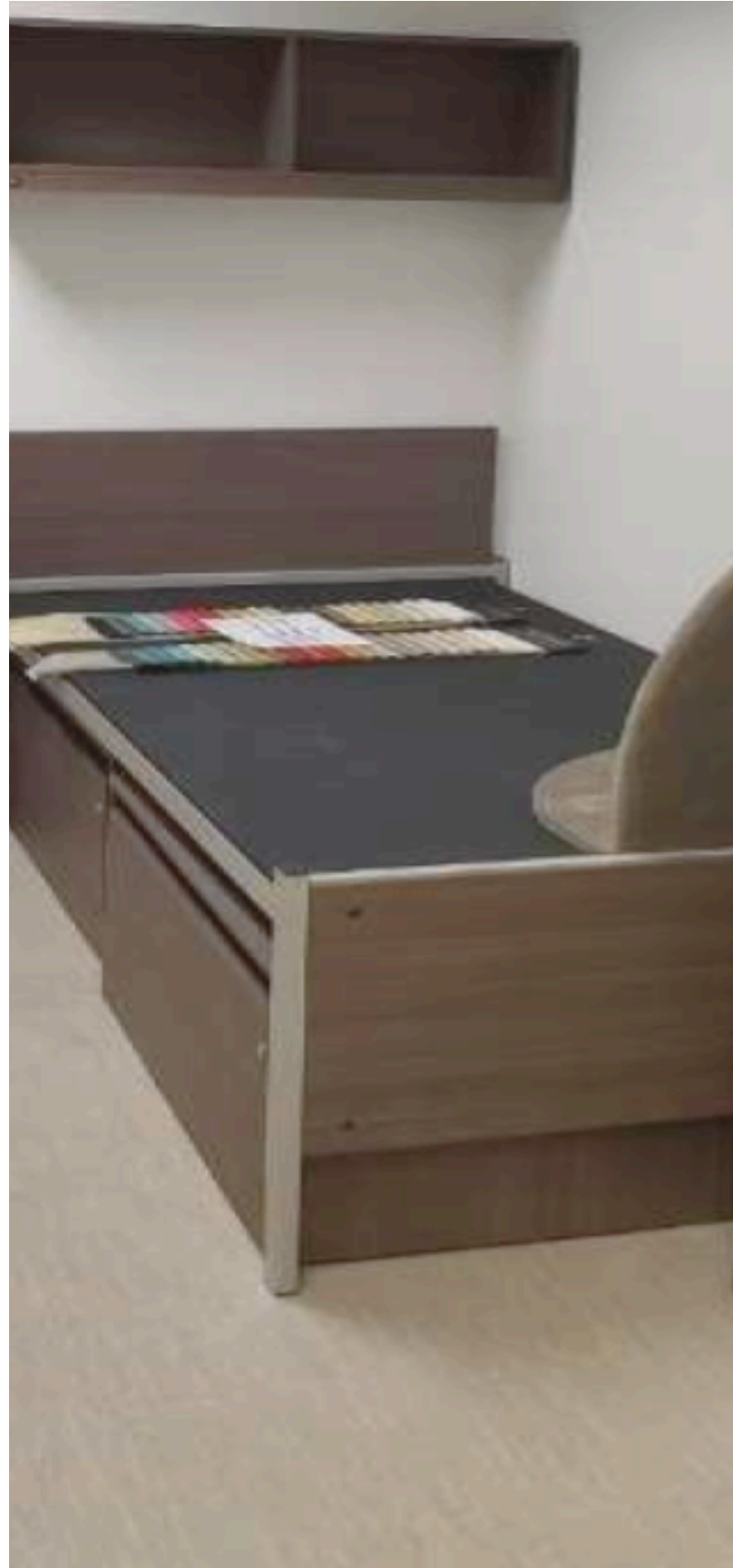


HOSPITALITY



RESTAURANT & FOOD COURTS





STUDENT RESIDENTIAL FURNITURE

WIRKO

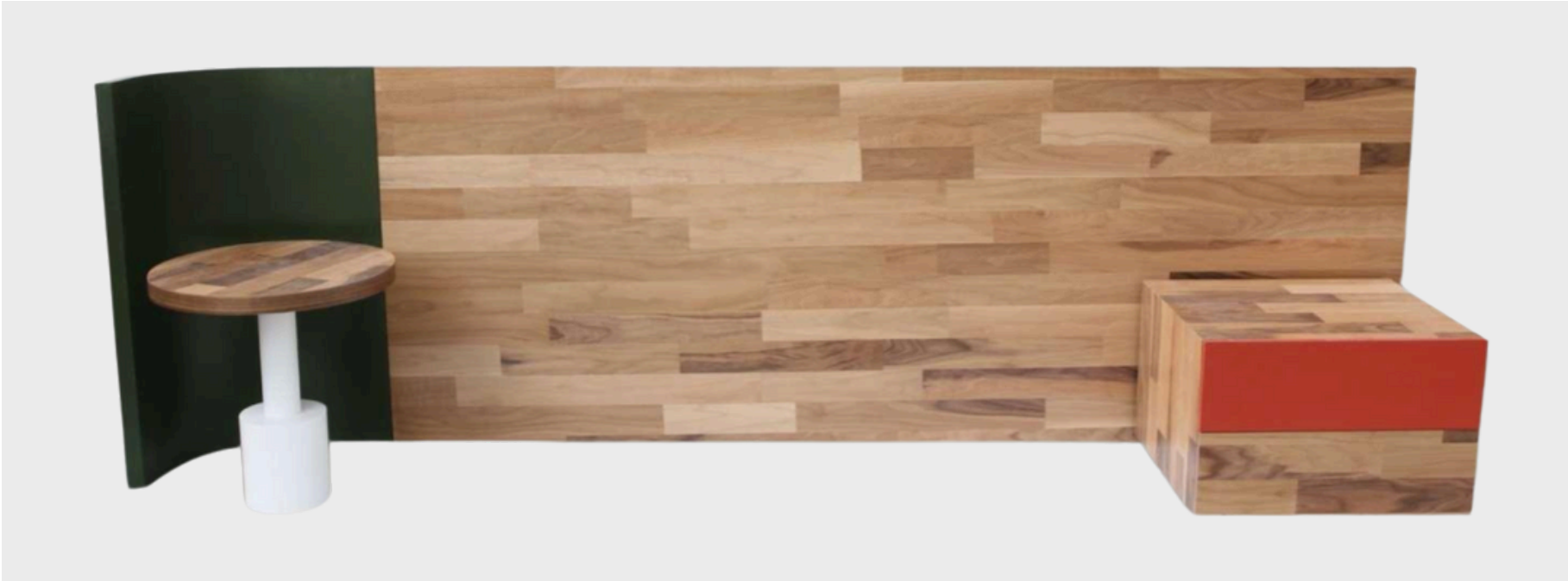


Our furniture is **fully customizable** to our clients needs.



FURNITURE





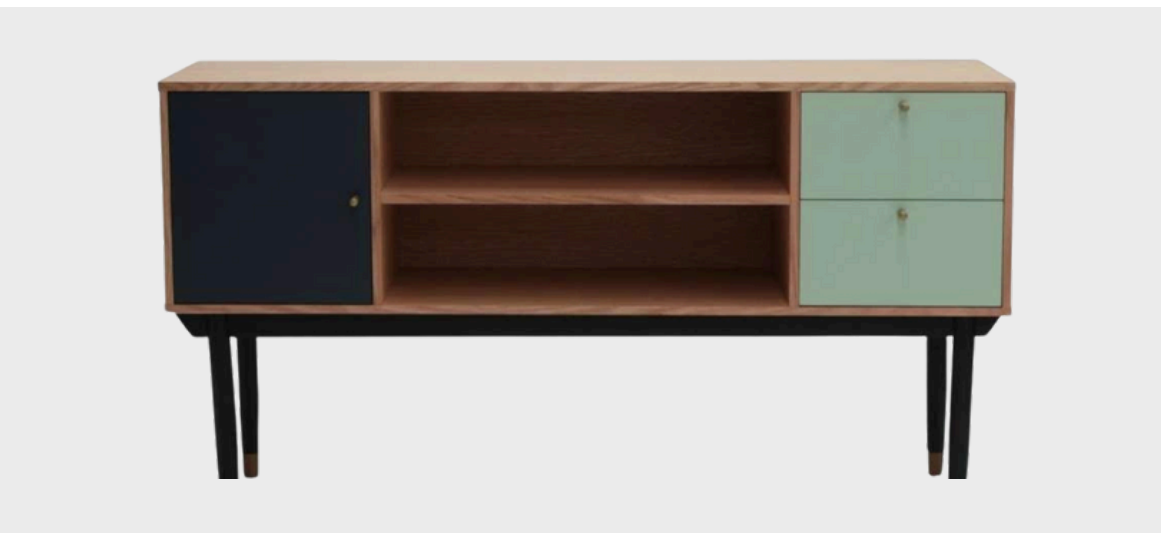
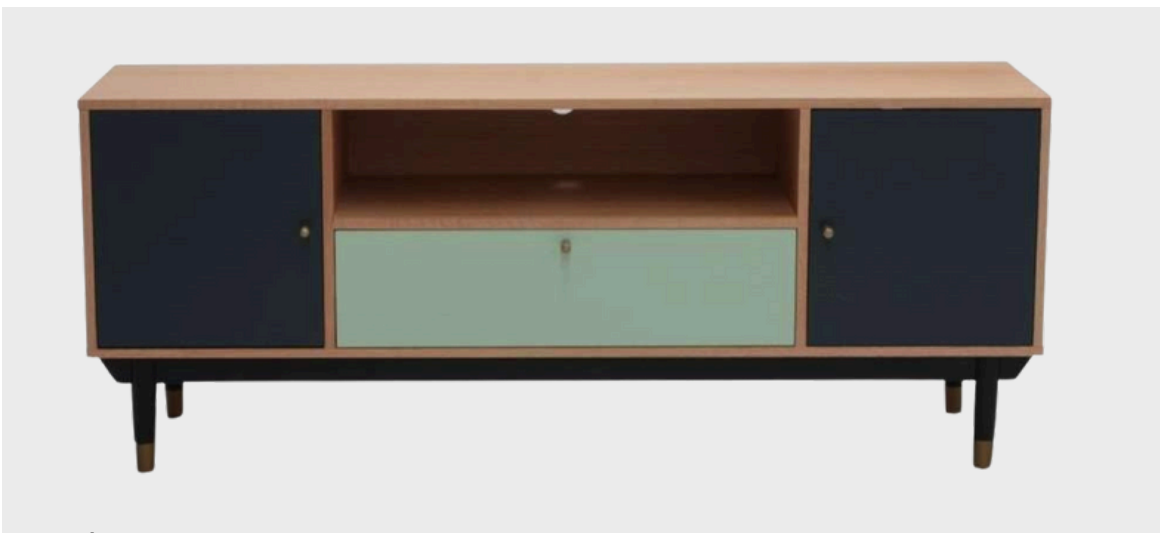
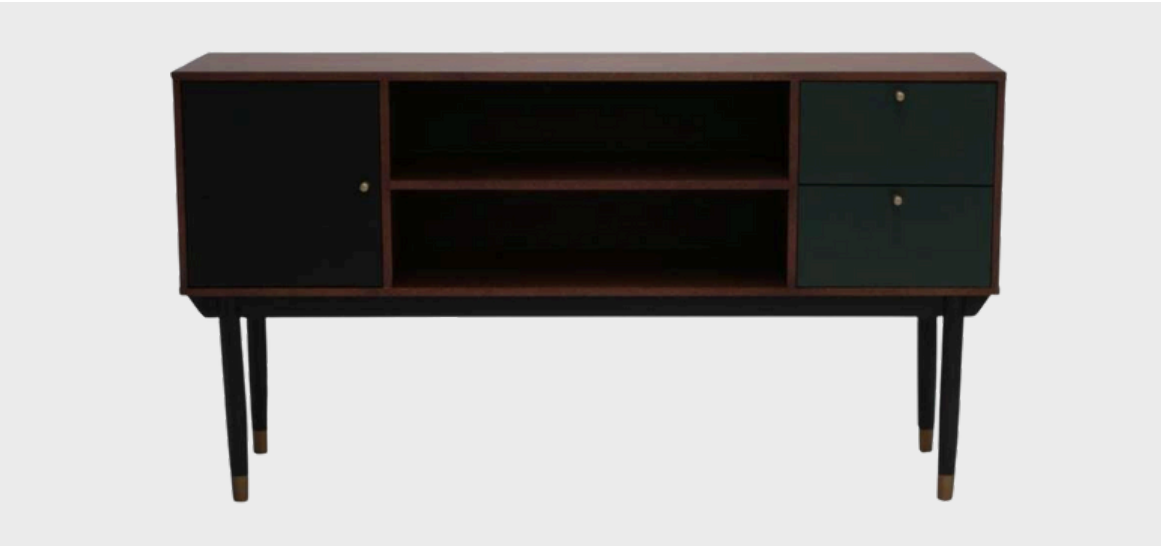
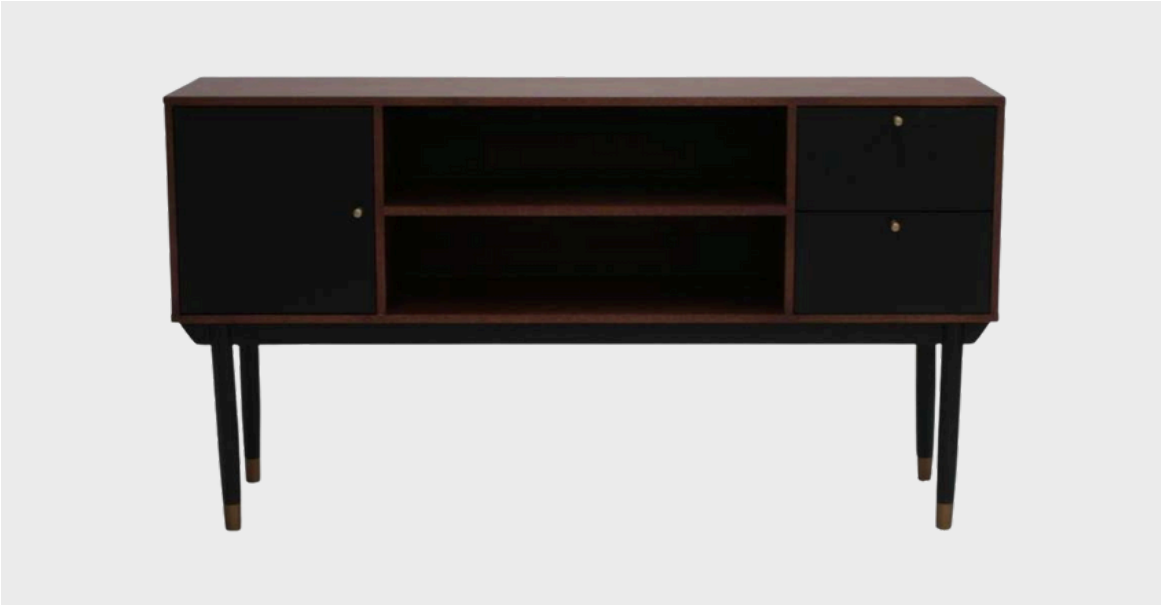


WIRKO

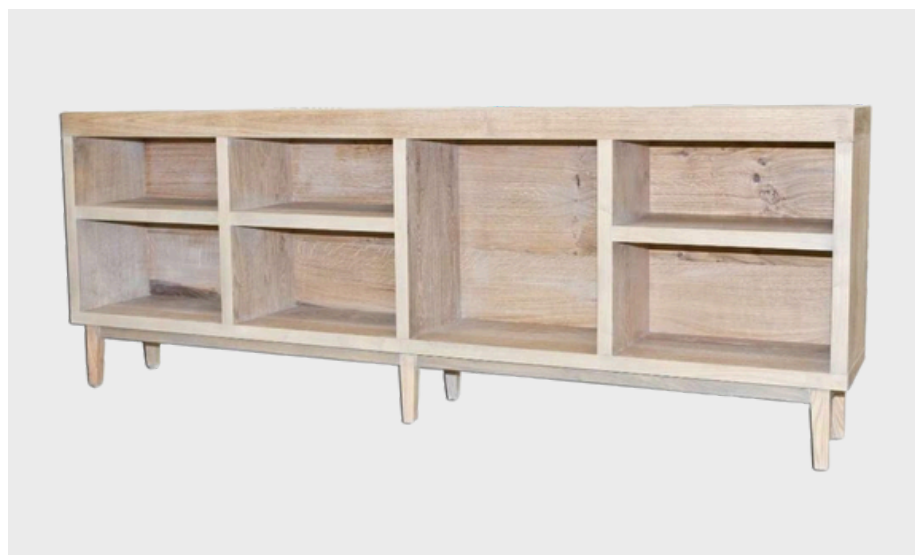








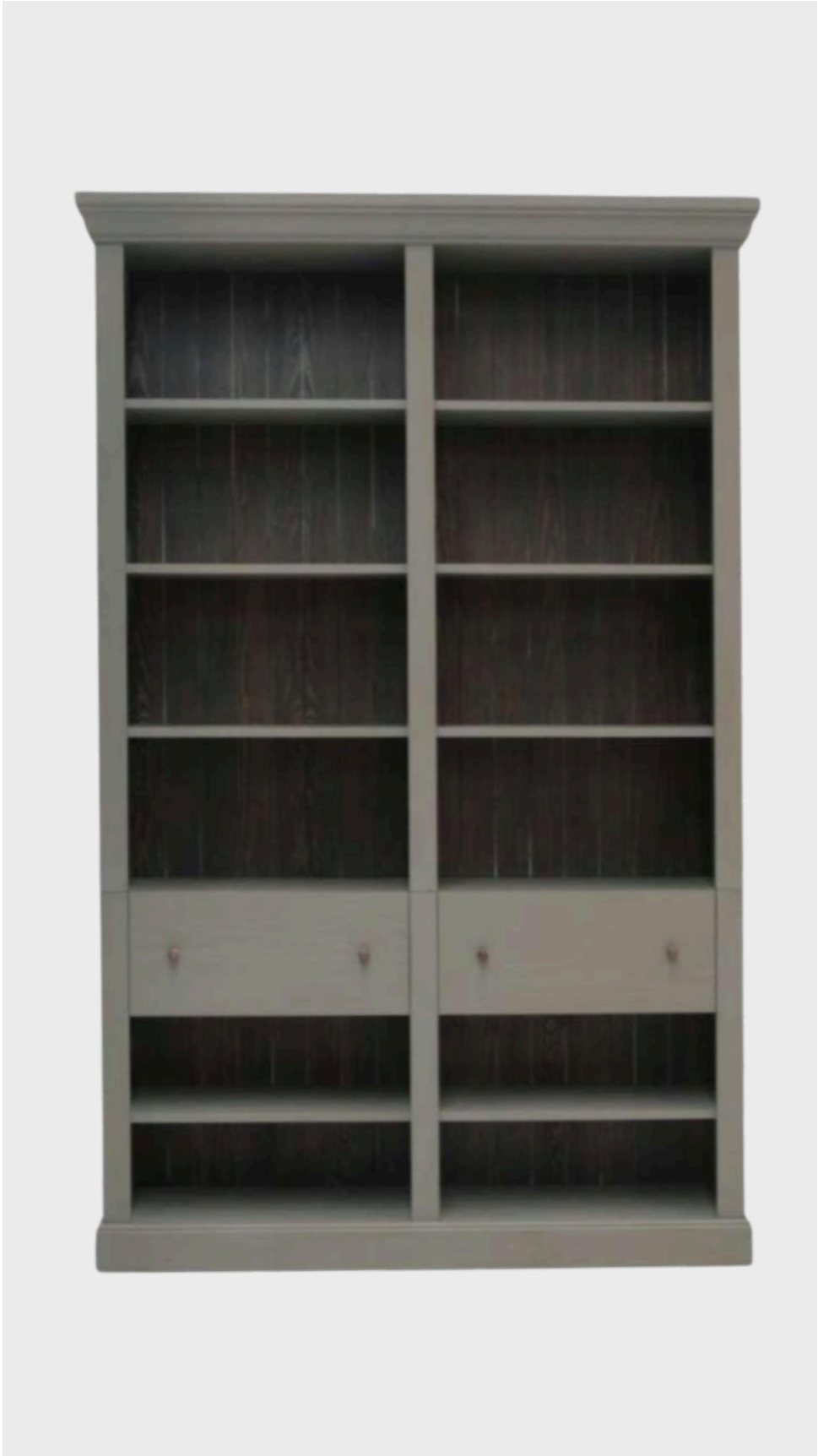




WIRKO

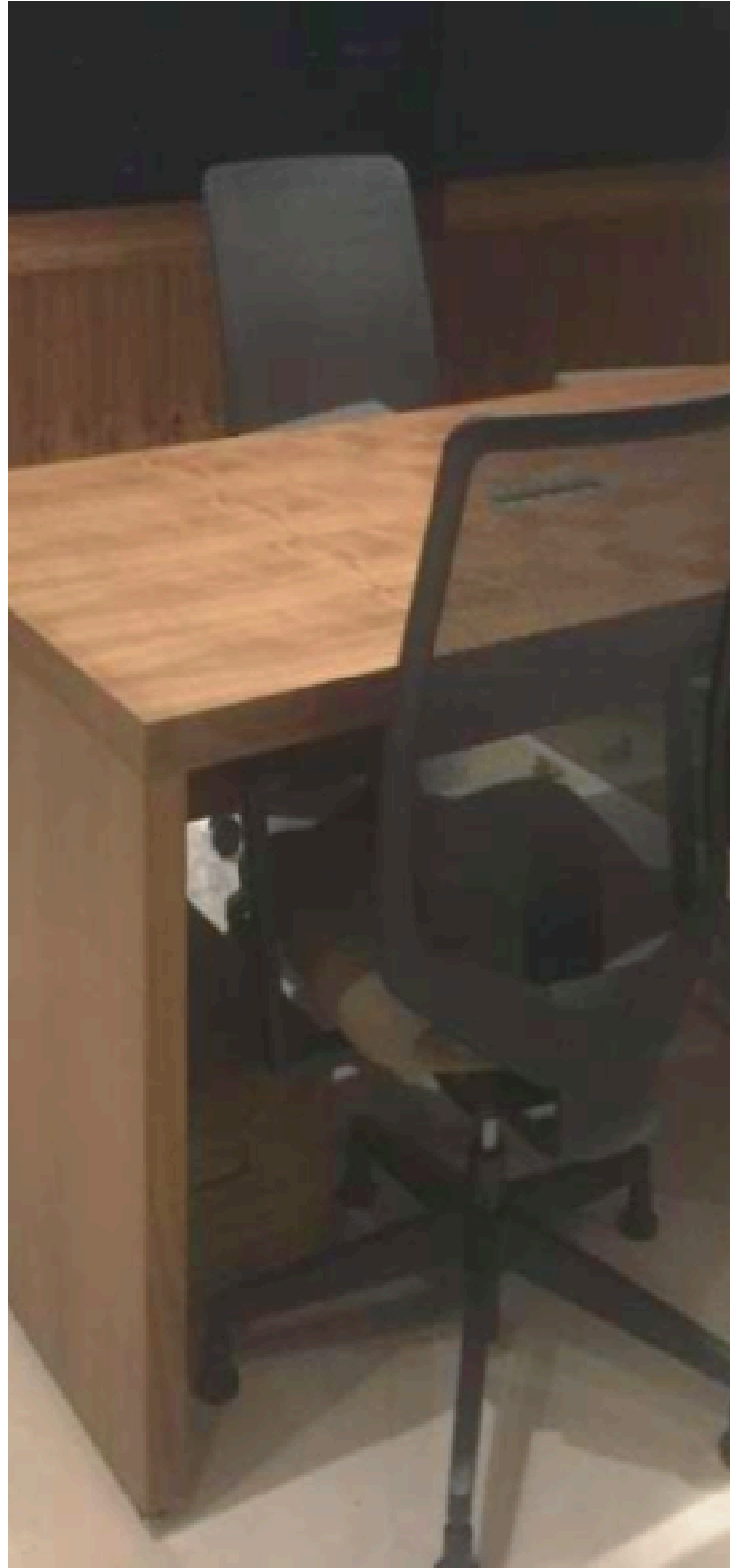
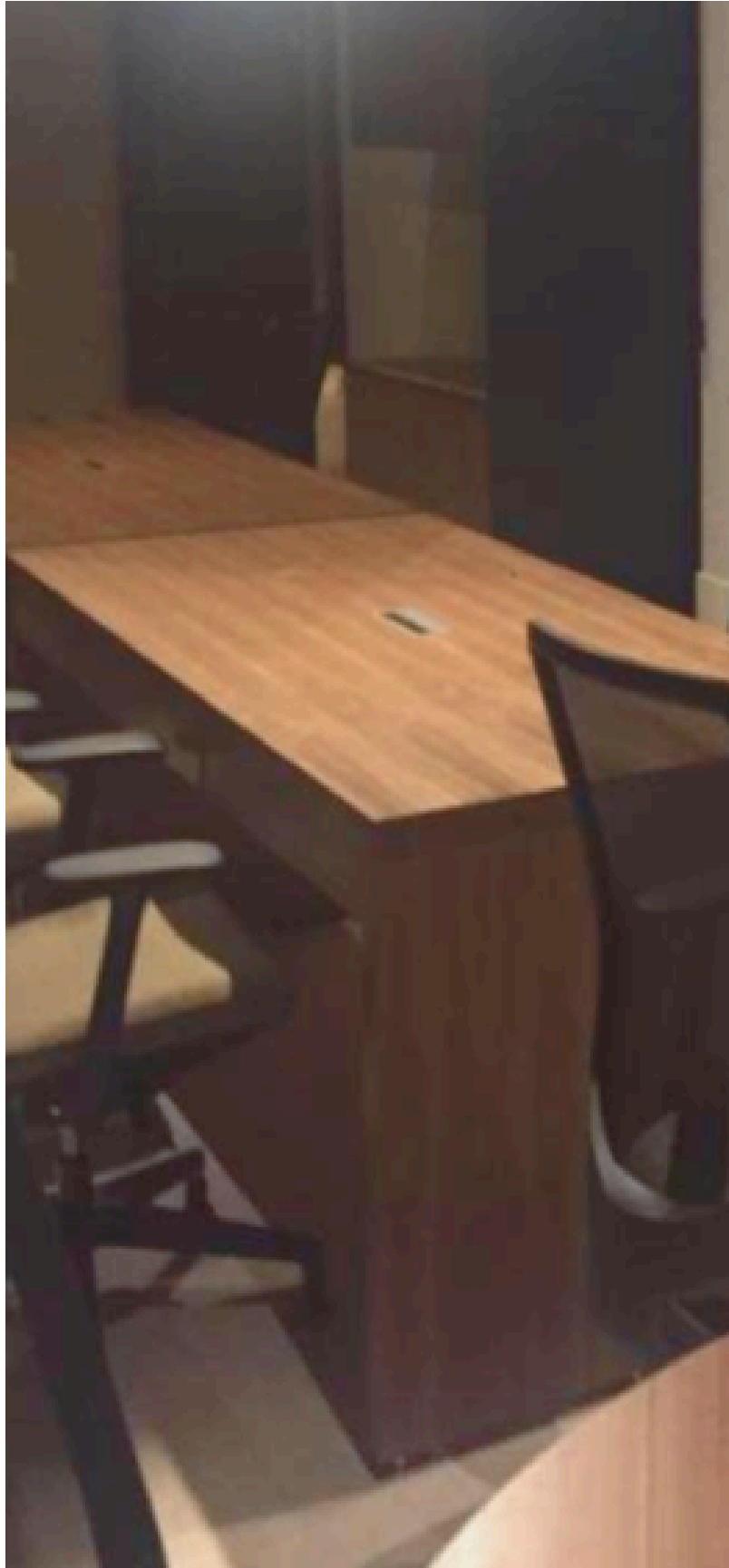








HOME OFFICE



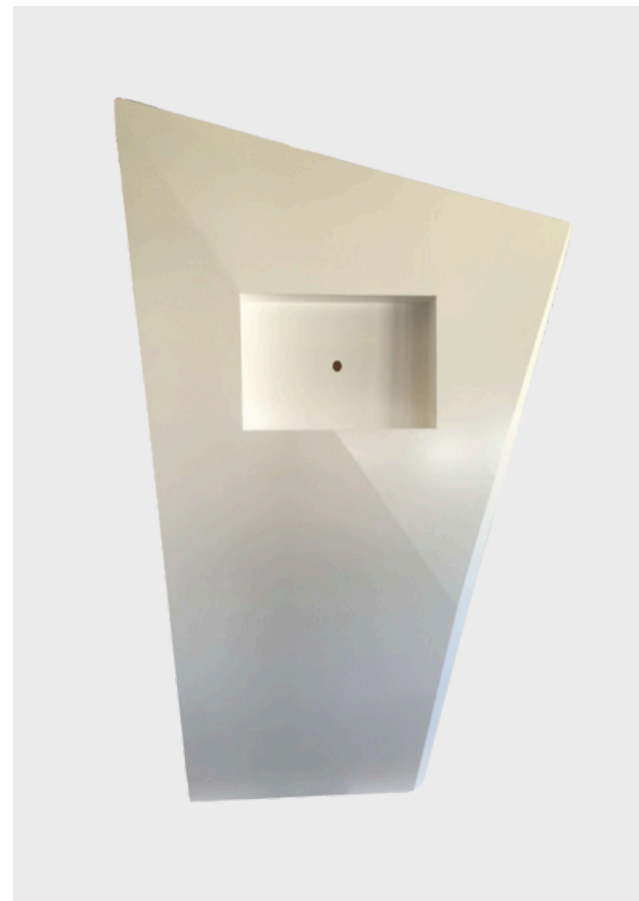
OFFICE FURNITURE

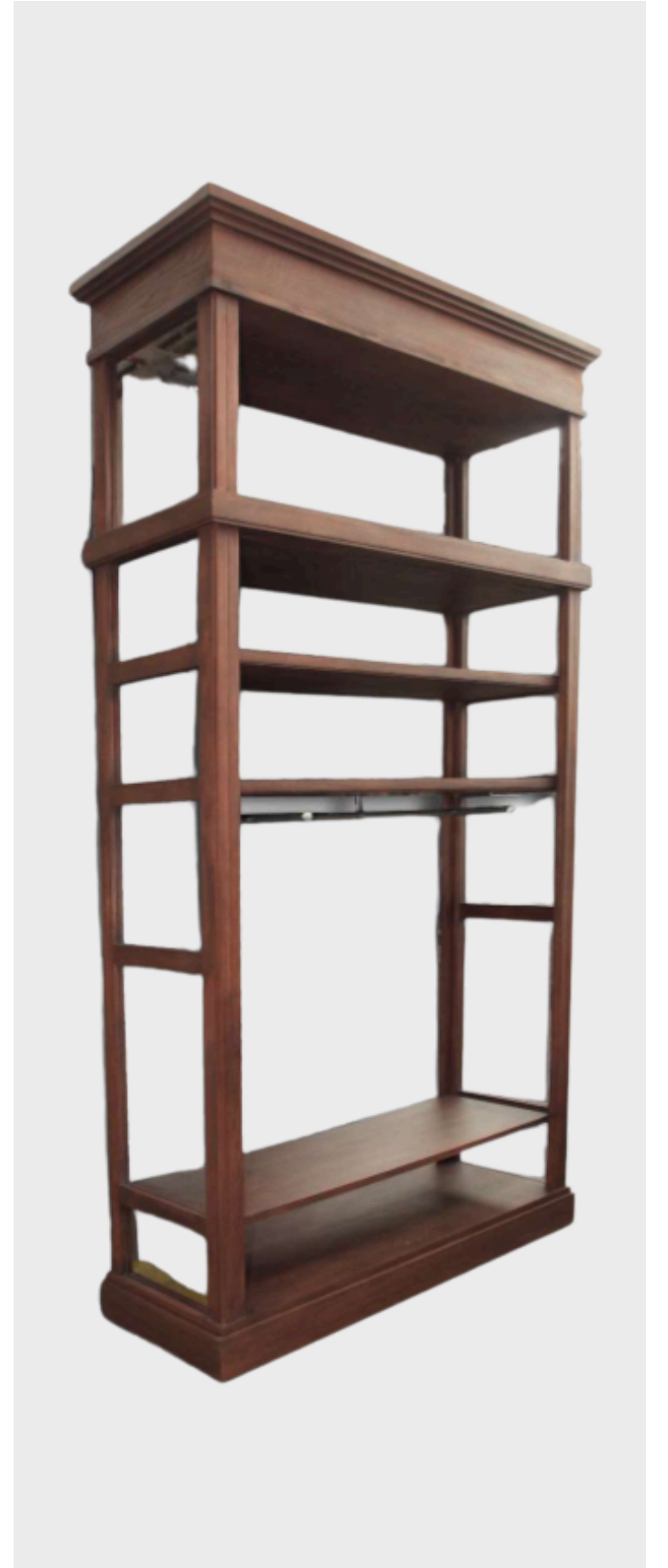
WIRKO

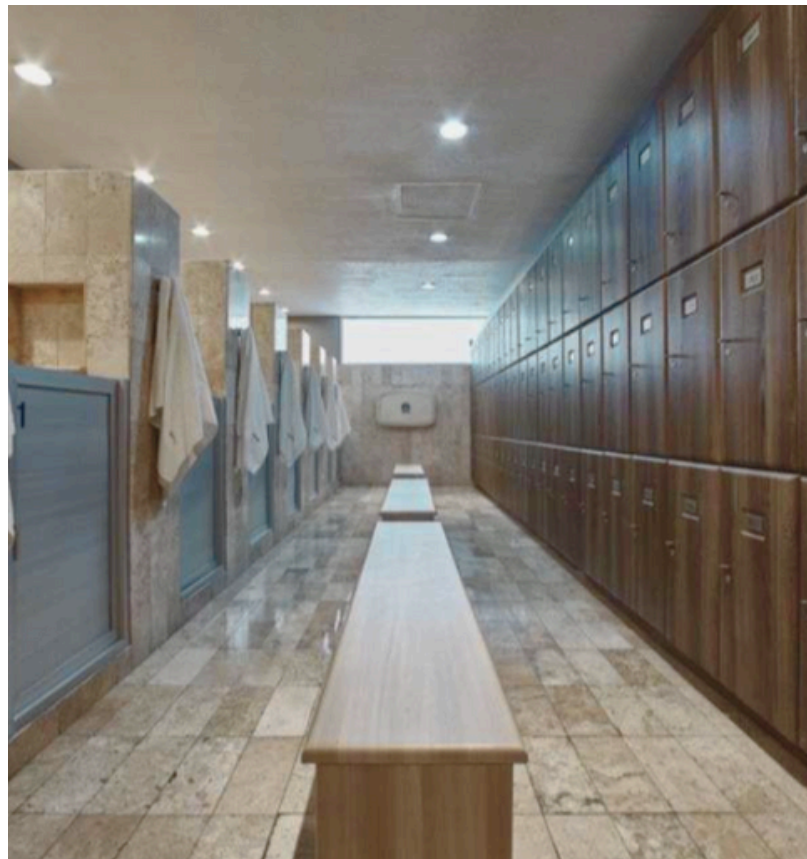




DISPLAYS







LOCKERS

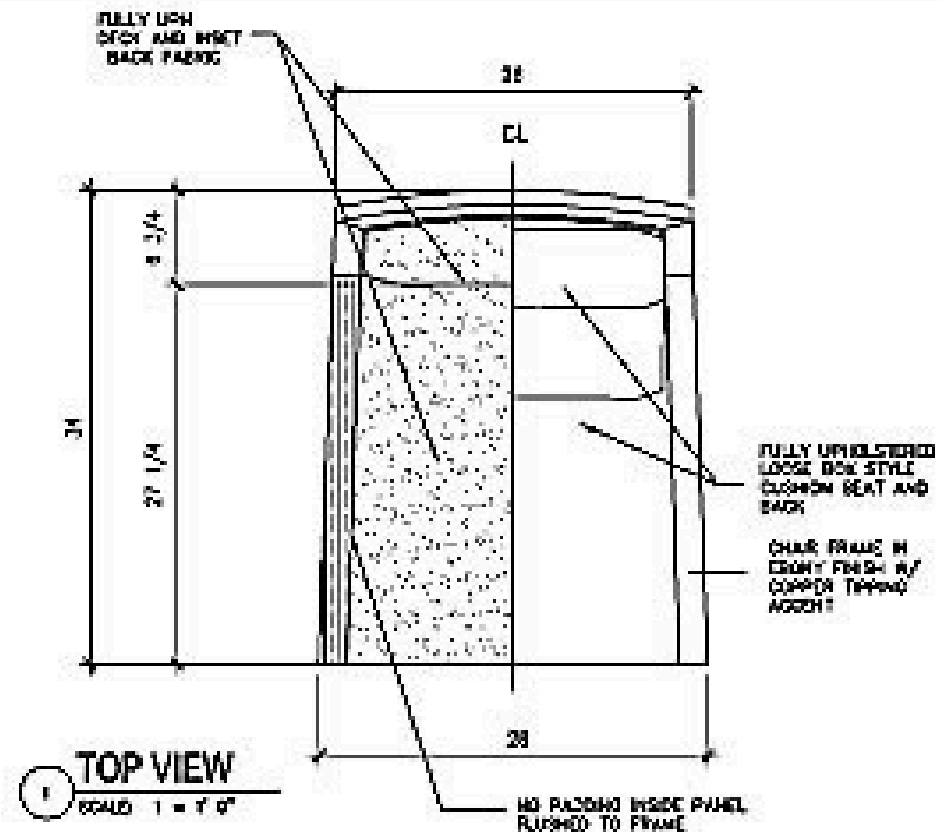


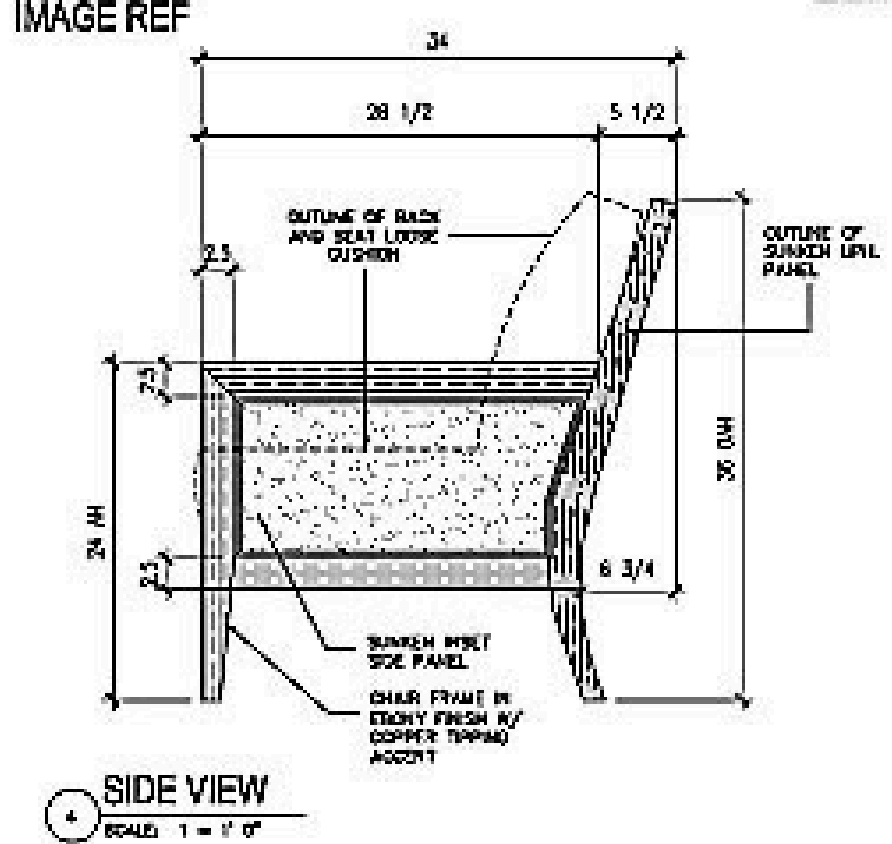
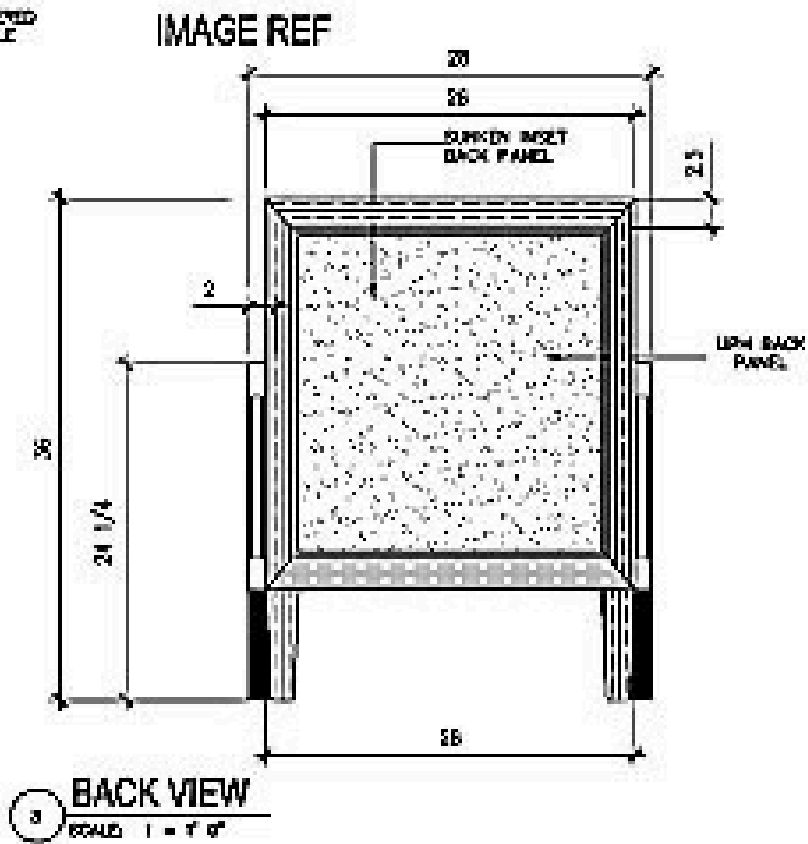
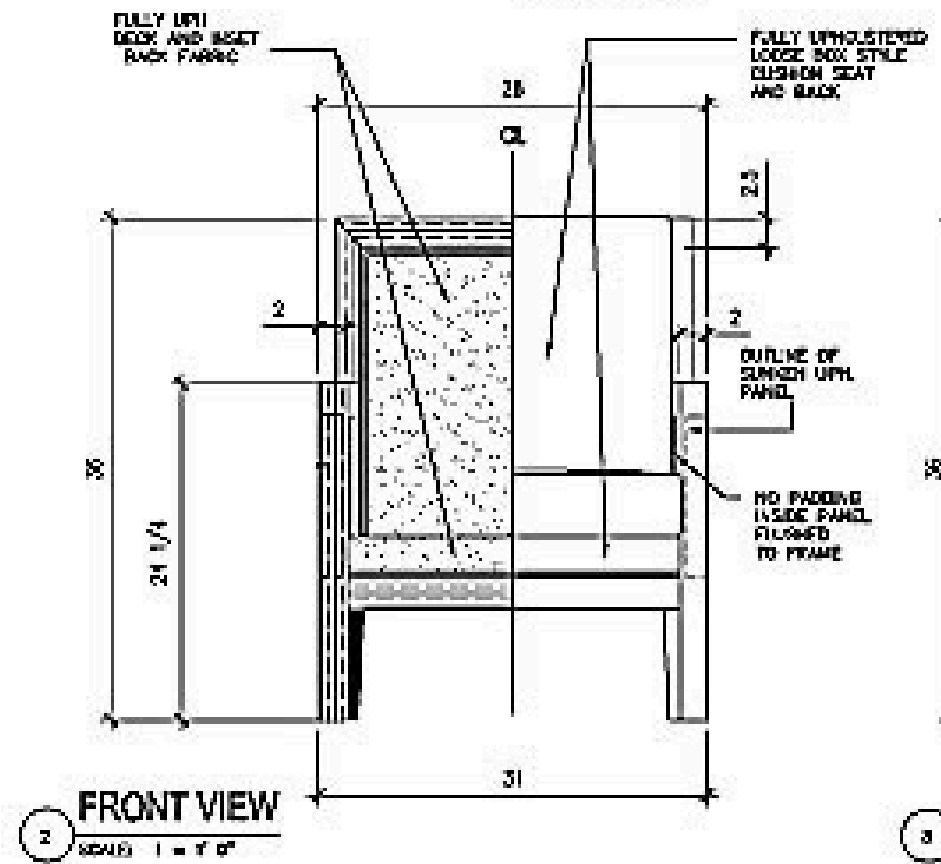
IMAGE REF

LOUNGE CHAIR / LIBRARY



IMAGE REF

PROJECT NO.	
DATE	
DESIGNER	
MANUFACTURER	
SCALE	
REVISIONS	
GURNEY	





VANITIES





Contact

PHONE NUMBER

+1 (404) 422-4714

EMAIL ADDRESS

Warren@Wirko.com

WEBSITE

www.Wirko.com

